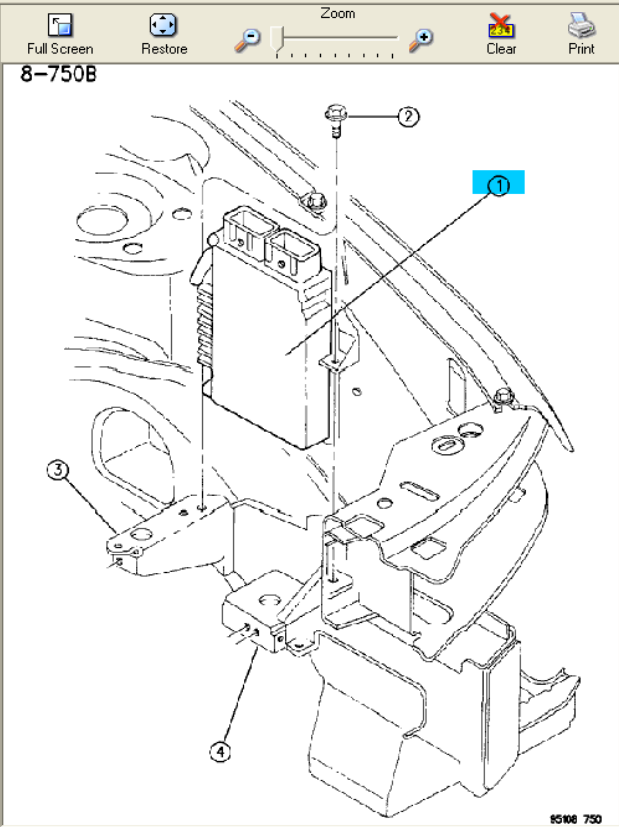


| ITEM | PART NUM | DESCRIPTION | MODELS | BODY | QTY |
|-------------------------------------|----------|--|--------|------|-----|
| <input type="checkbox"/> 1 | 4605 156 | MODULE S.B.E.C., Auto. Trans., 2.5 Eng., Up To 10-15-94, w/Firm Feel Susp. **** | | | |
| ▶ Part History Available... | | | | | |
| <input type="checkbox"/> | 4606 066 | Aft. 10-15-94, w/Firm Feel Susp. | | | |
| ▶ Part History Available... | | | | | |
| <input type="checkbox"/> | 4606 064 | w/o Firm Feel Susp., Up To 3-31-95 | | | |
| ▶ Part History Available... | | | | | |
| <input type="checkbox"/> | 4606 117 | w/o Firm Feel Susp., Aft. 3-31-95 | | | |
| ▶ Part History Available... | | | | | |
| <input type="checkbox"/> | 4605 265 | Auto. Trans., 2.4 Eng. | | | |
| ▶ Part History Available... | | | | | |
| <input type="checkbox"/> | 4606 068 | Auto. Trans., 2.5 Eng., EUROPE | | | |
| ▶ Part History Available... | | | | | |
| <input type="checkbox"/> | 4606 088 | Man. Trans., 2.0 Eng. | | | |
| ▶ Part History Available... | | | | | |
| <input type="checkbox"/> | 4606 104 | Man. Trans., 2.0 Eng., EUROPE | | | |
| ▶ Part History Available... | | | | | |
| <input checked="" type="checkbox"/> | 4606 107 | Man. Trans., 2.0 Eng., Calif. | | | |
| ▶ Part History Available... | | | | | |



Pick List: Untitled List

Inv (F2) Send To: Send... New List Open... Save... Delete Lists... Print... Prices Add... Delete Clear List Integration Setup...

| Part Number | Description | Qty | List | Dealer | Wholesale | Fleet | STKORD |
|-------------|-------------|-----|------|--------|-----------|-------|--------|
| Total: | | | | | | | |